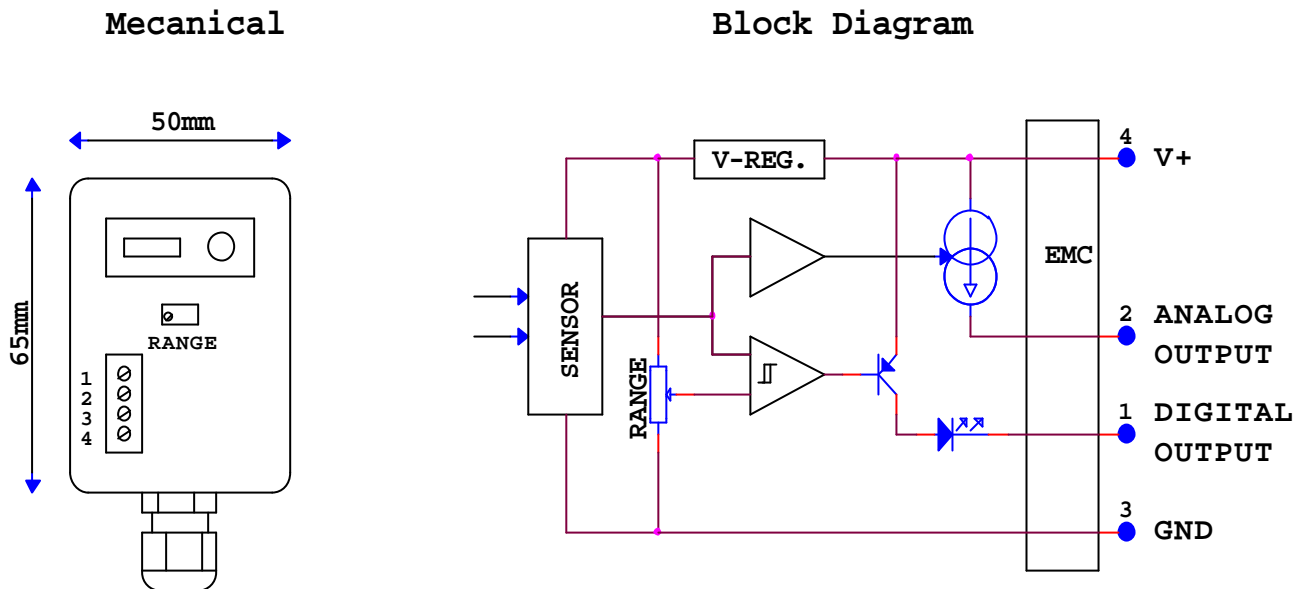


Optical Proximity Sensor.



Description:

Industrial optical distance measuring sensor.

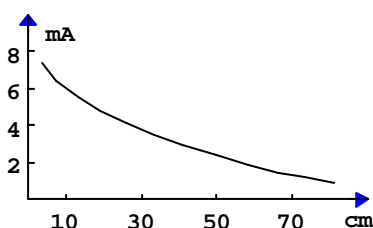
Detects any object within a distance of 50mm to 800mm in front of the box.

The unit is encapsulated in a waterproof box with transparent lid and a PG7 cable gland. Cable for installation is connected to the sensor by a 4-pole screw-terminal.

The sensor is equipped with an analog output and a digital output.

By the potentiometer RANGE the digital output is trimmed to trig at a certain distance within the measuring range.

The analog output sources 0,5 to 7,5 mA depending on the current distance.



Technical data:

Supply:	9 - 28V DC
Consumption :	250 mW + output-cur.
Analog Output:	0,5 – 7,5 mA
Digital Output	PNP, max 80 mA
Response Time:	< 0,5 Sec.
Operating temperature:	-20 to +50 DgC.
Tightness:	IP57
Electrical connection:	4-pole screwterminal
Mecanical: L*D*H:	65 * 50 * 35mm
Weight:	150 g
Mounting:	2 screws M4*8